

Description

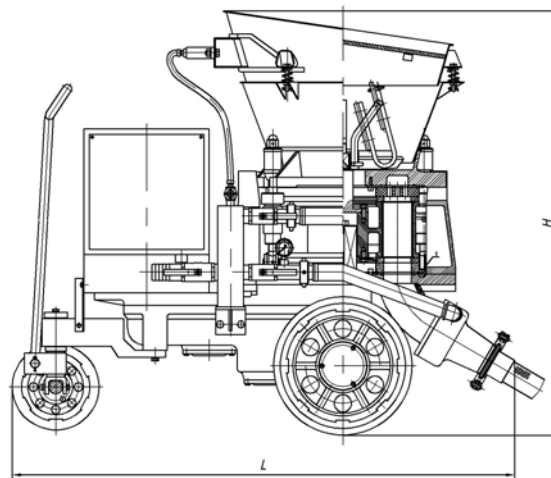
The GZ-3 is a mini-type concrete spraying machine for the processing of dry mix.

The machine can be used for small jobs, compact worksites, such as joint filling, spraying refractories, as well as for extensive slope consolidation work.

The GZ-3 is available in the following versions.

- BASIC Electric drive
- AIR With air drive
- DIESEL Diesel drive

Dimensions



- Length L : 1130 mm(1800mm,diesel)
- Height H : 1020 mm
- Width : 540 mm
- Weight : 430 kg(480kg,diesel)
- Content of hopper : 22 Liters

Drive

Electric (BASIC)		With air motor (AIR)	
Motor output	: 3 KW /4.1hp	Motor output	: 3.2 KW/4.4hp
Speed range	: 1490 rpm	Speed range	: 500-1000 rpm
Voltages	: 380 V50 Hz	Pressure	: 0.5 MPa/73psi
	440 V50/60 Hz	Air consumption	: 4.8 m ³ /min
	220 V 50/60 Hz		

Diesel

- Motor output : 10hp
- Speed range : 2200rpm

Oil hydraulic power pack with diesel engine

The information contained in this document is believed to be correct but BMC accepts no liability for any errors it contains, and reserves the right to alter specifications without notice. Please consult the respective machine manual for all matters related to operations and maintenance.

Theoretical conveying date (only dry)					
Rotor (Liter)	Hose ϕ (mm)	Conveying output ¹⁾ (m ³ /h)		max. grain (mm)	max. conv. dist. (m) Horizontal / Vertical
		BASIC	AIR/DIESEL		
4	42	3	1.5~3	12	200 / 70

1) With theoretical filling degree of 100%. If motor with 60 Hz =20% higher conveying capacity

Theoretical data for air consumption for conveying	
Air consumption (m ³ /min.) ²⁾	
Dry spraying	
60 m	120 m
4.5	5.5

2) Air consumption data are approximate values and are depending on conveying distance.
CAUTION: For the configuration AIR (with air motor) it has to be considered:
 Total air consumption =
 Air consumption for conveying + Air consumption for air motor!

GZ-3 with air motor



The information contained in this document is believed to correct but BMC accepts no liability for any errors it contains, and reserves the right to alter specifications without notice. Please consult the respective machine manual for all matters related to operations and maintenance.