

**Description**

The GZ-5 is a medium-sized concrete spraying machine for the processing of dry mix.

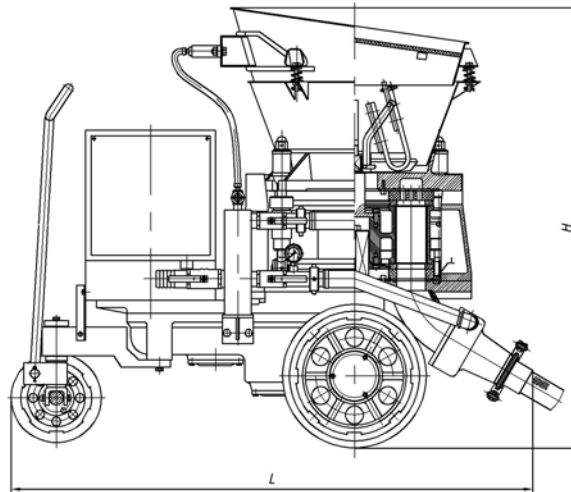
The machine can be used thanks to its compact design and mobility where space is at a premium e.g. in mines and galleries.

Other potential applications are slope and hillside protection, lining of water tanks and swimming pools, guniting for single and double shell tunnel construction, backfilling of tubing.

The GZ-5 is available in the following versions.

- BASIC                      Electric drive
- AIR                         With air drive
- DIESEL                    Diesel drive

**Dimensions**



Length	:	1350mm(2000mm,diesel)
Height	:	1200 mm
Width	:	750 mm
Weight	:	720 kg(730kg,diesel)
Content of hopper	:	25 Liters

**Drive**

Electric (BASIC)		With air motor (AIR)	
Motor output	: 5.5 KW/7.5hp IP55	Motor output	: 5.9 KW/8hp
Speed range	: 1000 rpm	Speed range	: 450-900 rpm
Voltages	: 380 V 50 Hz	Pressure	: 0.5 Mpa/73psi
	: 440 V50/60 Hz	Air consumption	: 7.5 m <sup>3</sup> /min
	: 220V50/60Hz		

The information contained in this document is believed to correct but BMC accepts no liability for any errors it contains, and reserves the right to alter specifications without notice. Please consult the respective machine manual for all matters related to operations and maintenance.

**Diesel**

Motor output : 10hp  
 Speed range : 2200rpm  
 Oil hydraulic power pack with diesel engine.

**Theoretical conveying date (only dry)**

Rotor (Liter)	Hose Φ (mm)	Conveying output <sup>1)</sup> (m <sup>3</sup> /h)		max. grain (mm)	max. conv. dist. (m) Horizontal / Vertical
		BASIC	AIR/DIESEL		
9	50	5	2.5~5	15	200 / 70

1) With theoretical filling degree of 100%. If motor with 60 Hz =20% higher conveying capacity

**Theoretical data for air consumption for conveying**

Air consumption (m <sup>3</sup> /min.) <sup>2)</sup>	
Dry spraying	
60 m	120 m
7	8

2) Air consumption data are approximate values and are depending on conveying distance.

**CAUTION:** For the configuration AIR (with air motor) it has to be considered:

Total air consumption =  
 Air consumption for conveying + Air consumption for air motor!

**GZ-5 with electric motor drive**



The information contained in this document is believed to correct but BMC accepts no liability for any errors it contains, and reserves the right to alter specifications without notice. Please consult the respective machine manual for all matters related to operations and maintenance.