

Description

The BSZ3000 is a concrete spraying machine for the processing of wet or dry mix.

This machine, jointed with dosing unite, is suitable either for manual spraying or by means of a robotic arm.

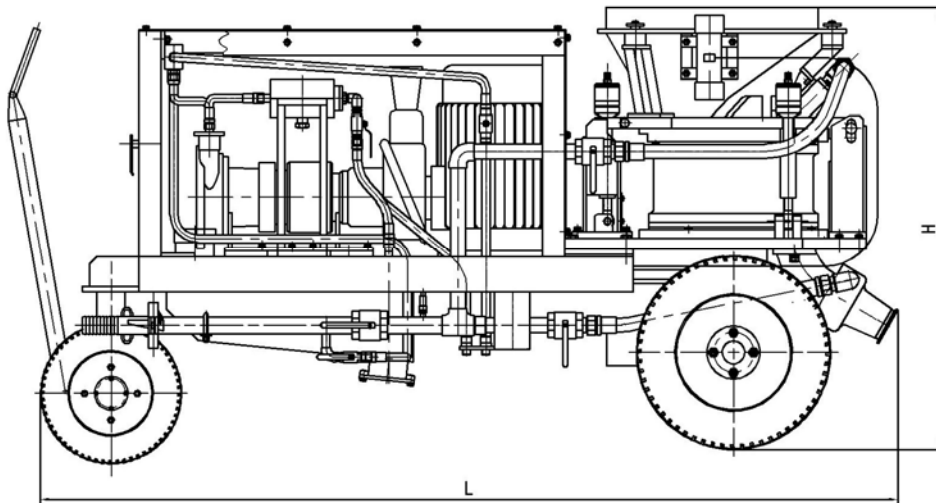
The BSZ3000 is developed for the application of shotcrete in tunnels, mines and slopes.

The machine has been designed especially for steel fibre spraying.

The BSZ3000 is available in the following versions.

- BASIC Electric drive
- AIR With air drive

Dimensions



Length	:	2050mm
Height	:	1180 mm
Width	:	950 mm
Weight	:	1200 kg
Content of hopper	:	38 Liters

Drive

Electric (BASIC)		With air motor (AIR)	
Motor output	: 7.5 KW/10hp	Motor output	: 8 KW/11hp
Speed range	: 1500 rpm	Speed range	: 400-650 rpm
Voltages	: 380 V 50 Hz	Pressure	: 0.63 Mpa/93psi
	440 V 50/60 Hz	Air consumption	: 9.4 m ³ /min
	220 V 50 /60Hz		

The information contained in this document is believed to correct but BMC accepts no liability for any errors it contains, and reserves the right to alter specifications without notice. Please consult the respective machine manual for all matters related to operations and maintenance.

Theoretical conveying date					
Rotor (Liter)	Hose Φ (mm)	Conveying output ¹⁾ (m ³ /h)		max. grain (mm)	max. conv. dist. (m) Horizontal / Vertical
		BASIC	AIR		
11	50	5	3~5	15	Dry: 200 / 70
11	65	5	3~5	20	Wet: 30/20

1) With theoretical filling degree of 100%. If motor with 60 Hz =20% higher conveying capacity

Theoretical data for air consumption for conveying			
Air consumption (m ³ /min.) ²⁾			
Dry spraying		Wet spraying	
60 m	120 m	30 m	
11	12	15	

2) Air consumption data are approximate values and are depending on conveying distance.

CAUTION: For the configuration AIR (with air motor) it has to be considered:

Total air consumption =
Air consumption for conveying + Air consumption for air motor!

BSZ3000 with electric motor drive



The information contained in this document is believed to correct but BMC accepts no liability for any errors it contains, and reserves the right to alter specifications without notice. Please consult the respective machine manual for all matters related to operations and maintenance.